



EMMECI ELETTRONICA

Via Litografo 1 40138 Bologna Italy

Tel. 051/403480 – 051/9916656

Fax 051/7450787

e-mail: info@emmec-elettronica.com

web: www.emmec-elettronica.com

Electro-pneumatic gun 88210 serie



Gun operation

The electro-pneumatic gun 88210xxx serie has been designed and realized to be used on several type of machines.

Its design and versatility make it suitable for any application requires the use of extrusion guns.

The 88210xxx gun is an extruder for the liquids with low and middle viscosity (max 2500 mPa.s).

The gun is electrically controlled by a 24Vdc signal

The gun 88210xxx is a double-effect valve (the pneumatic pressure controls the aperture and the closure of the gun), pneumatically controlled from an electro-valve mounted on the gun.

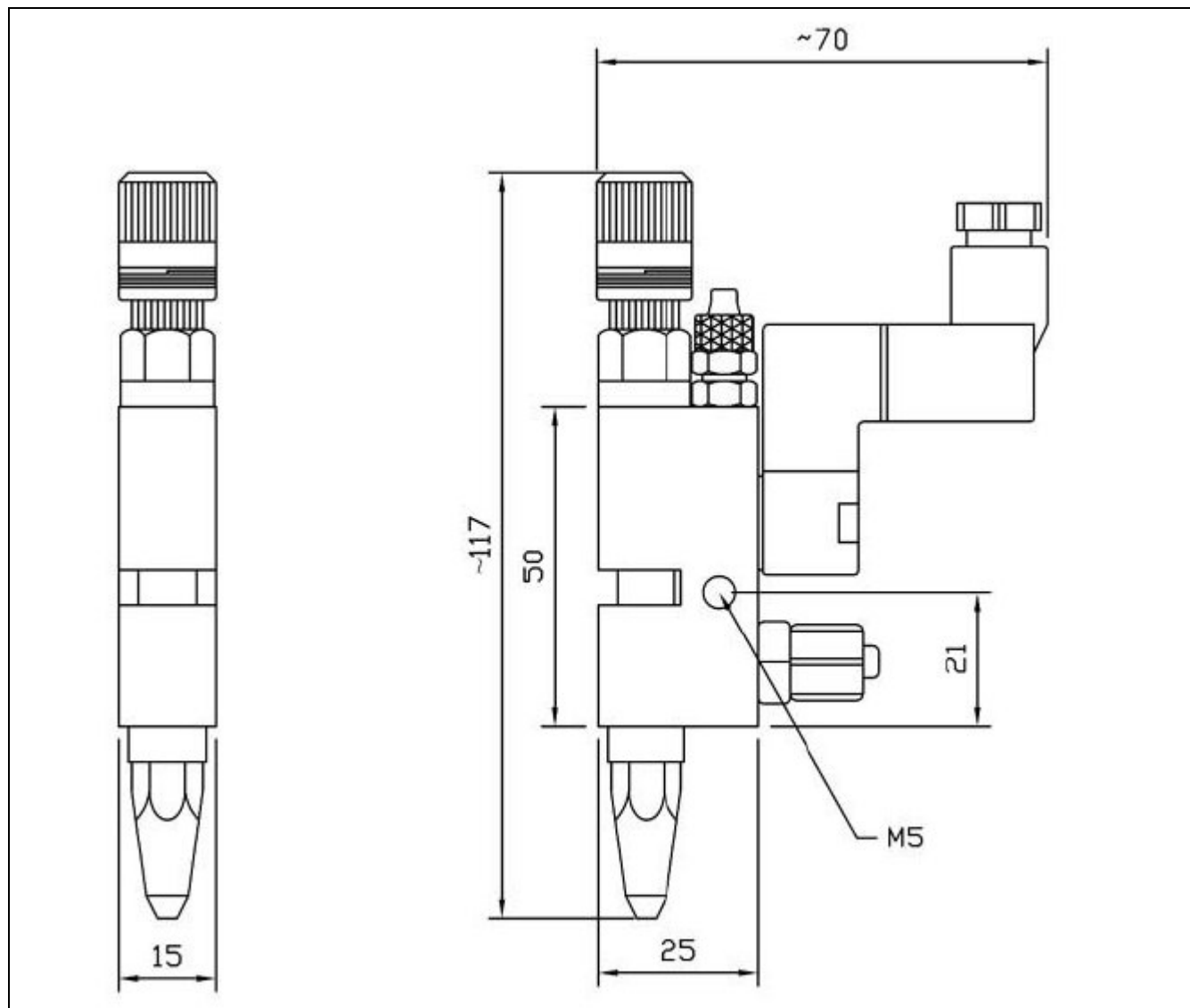
The gun is composed from: an electrovalve, a needle, a nozzle and a channel where flows the needle.

When the gun not works the needle closes the nozzle hole, by blocking the liquid flux, when the electrovalve is actived the needle opens the nozzle hole and the liquid can exit.

By deactivating the electrovalve the needle returns in the closing position.

Technical characteristics	
Work pressure	1....25 bar
Liquid viscosity	Max 2500 mPa.s
Nozzle diameter	0.3 – 0.4 – 0.6 – 0.8 mm
Electrovalve	24VDC 2W

Mechanical dimensions



Modelli di pistola disponibili

Codice	Descrizione
88210300	Extrusion gun 88210 \varnothing 0,3mm nozzle 24VDC command
88210400	Extrusion gun 88210 \varnothing 0,4mm nozzle 24VDC command
88210600	Extrusion gun 88210 \varnothing 0,6mm nozzle 24VDC command
88210800	Extrusion gun 88210 \varnothing 0,8mm nozzle 24VDC command